



Through Conduit Valve



Through Conduit Valve




 Achilles Joint Qualification System
 for suppliers to the Oil Industry in Norway and Denmark
Certificate of Qualification
 Awarded to
DOUGLAS CHERO S.P.A.
 Achilles Id. 24773
 Achilles Information Centre hereby confirms that
DOUGLAS CHERO S.P.A.
 is qualified in the Achilles Joint Qualification System
 for suppliers to the Oil Industry in Norway and Denmark.
 The qualification concerns the product and service
 categories listed in the appendix.





Douglas Chero S.p.A.

Stablished in 1974,
in the industrial area
of Carpaneto Piacentino, Piacenza.

The factory covers an area
of 30,000 m²
(of which 9,000 m² are building).



Through Conduit Valve



Our through conduit and expanding gate valves are full bore and block and bleed type.

Douglas Chero can supply valves with P.T.F.E. insert seats or full metal to metal seals to meet **fire safe test**.

If requested stem packing can be suitable up to 520 °C service temperature.

Valves can be supplied in manual, gear operator, electrical operator, hydraulic operator, gas over oil operator.

Trim materials according to service requirements.

API 10.000 available on request.

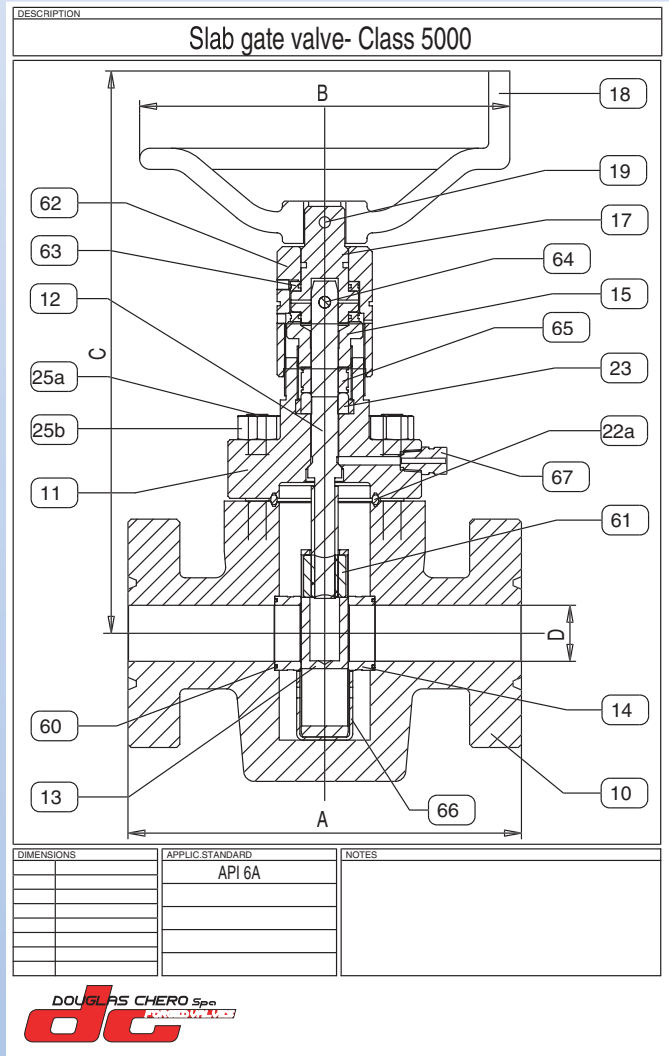
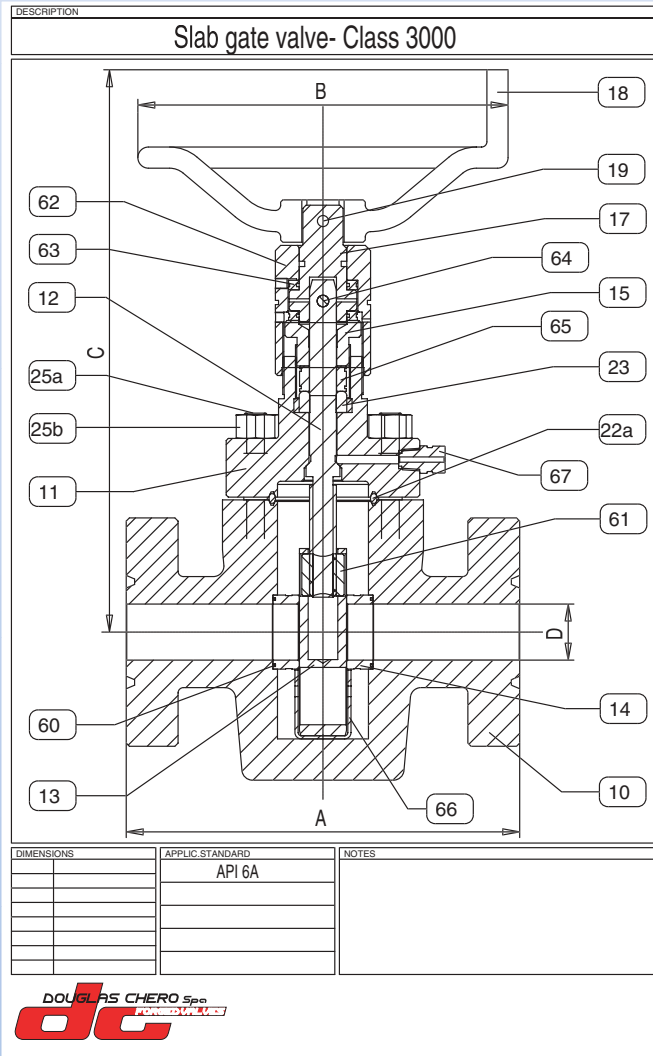
On this page and in the next one, a short view of our facilities.

Through Conduit Valve



Through Conduit Valve

SLAB GATE VALVE • CLASS 3000 - 5000



Standard execution with stem-greaser

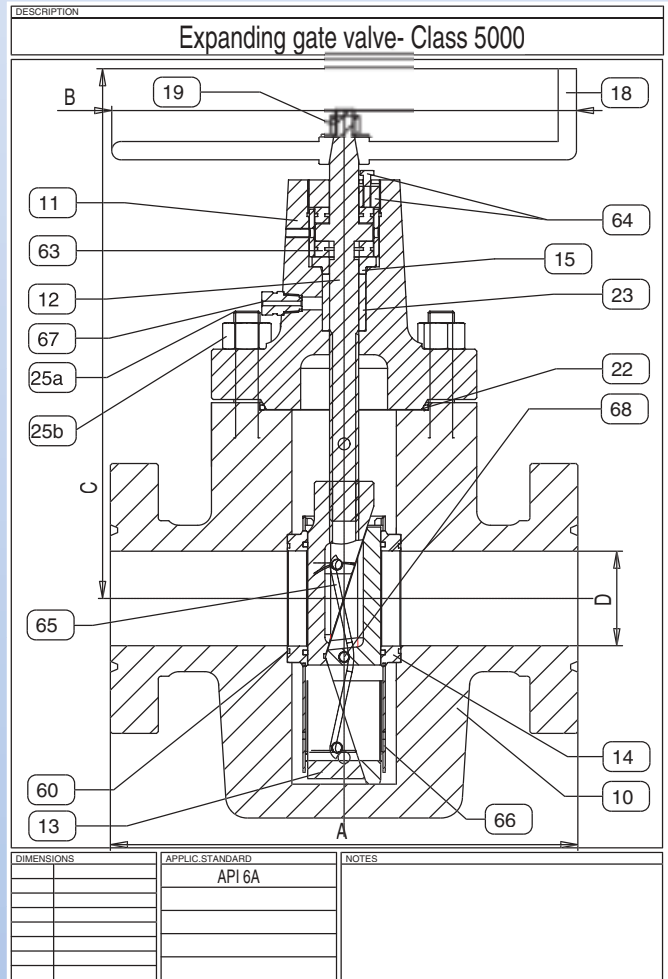
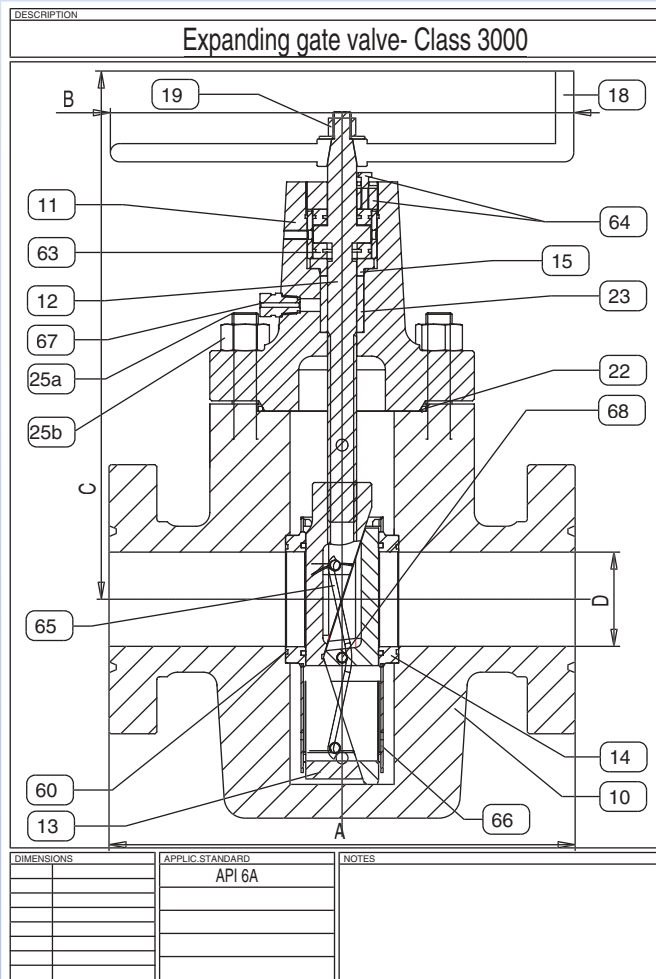
LEGEND:

- | | | | |
|------------|--------------------|----------------------|------------------|
| 10) Body | 14) Seats | 23) Packing | 63) Bearing |
| 11) Bonnet | 15) Packing gland | 25a) Body stud bolts | 64) Stem plug |
| 12) Stem | 17) Stem nut | 25b) Body nuts | 65) Packing ring |
| 13) Wedge | 18) Handwheel | 60) Seats gasket | 66) Wedge slide |
| | 19) Handwheel plug | 61) Lift nut | 67) Greaser |
| | 22a) Rj gasket | 62) Bearings support | |

DIMENSION EXPANDING AND SLAB GATE VALVE API 6A/ API 6D (RATING 3000 PSI)								
Nominal Size	2.1/16"		2.9/16"		3.1/8"		4.1/16"	
	mm.	in.	mm.	in.	mm.	in.	mm.	in.
A (End to end)	371	14.5/8"	422	16.5/8"	435	17.1/8"	511	20.1/8"
B (Diameter Handwheel)	350	13	350	13	500	20	500	20
C (Center line top)	500	19.5/8"	525	20.5/8"	580	23	675	26.5/8"
D (Diameter of Port)	52,4	2.1/16"	65,1	2.9/16"	79,4	3.1/8"	103,2	4.1/16"
Approxim. Weight (Kg./lb.)	80	176	100	220	140	308	280	617

Through Conduit Valve

EXPANDING GATE VALVE • CLASS 3000 - 5000



Standard execution with one stem-greaser and two wedge-greasers

LEGEND:

- | | | | |
|-------------------|-------------------|---------------------------|-----------------|
| 10) Body | 14) Seats | 25a) Body stud bolts | 66) Wedge slide |
| 11) Bonnet | 15) Packing gland | 25b) Body nuts | 67) Greaser |
| 12) Stem | 18) Handwheel | 60) Seats gasket | 68) Pin |
| 13) Gate assembly | 19) Handwheel nut | 63) Thrust bearing | |
| | 22) Gasket | 64) Set screw and set nut | |
| | 23) Packing | 65) Spring | |

DIMENSION EXPANDING AND SLAB GATE VALVE API 6A/ API 6D (RATING 5000 PSI)								
Nominal Size	2.1/16"		2.9/16"		3.1/8"		4.1/16"	
	mm.	in.	mm.	in.	mm.	in.	mm.	in.
A (End to end)	371	14.5/8"	422	16.5/8"	473	18.5/8"	549	21.5/8"
B (Diameter Handwheel)	350	13	350	13	500	20	500	20
C (Center line top)	500	19.5/8"	525	20.5/8"	580	23	675	26.5/8"
D (Diameter of Port)	52,4	2.1/16"	65,1	2.9/16"	79,4	3.1/8"	103,2	4.1/16"
Approxim. Weight (Kg./lb.)	80	176	100	220	150	330	300	660

Through Conduit Valve



CE certified N° CE-PED-H-DCH001-01-ITA

Douglas Chero S.p.A.

Factory: Loc. Pradaglie - 29013 Carpaneto P.no (PC) - Italy
Ph. 0523.850047 - Fax 0523.850389

E-mail:

Q.C. office: qual.vito@douglas-chero.com
Tech. office: utec.guido@douglas-chero.com
Comm. office: comm.anna@douglas-chero.com
Prod. office: prod.massari@douglas-chero.com