



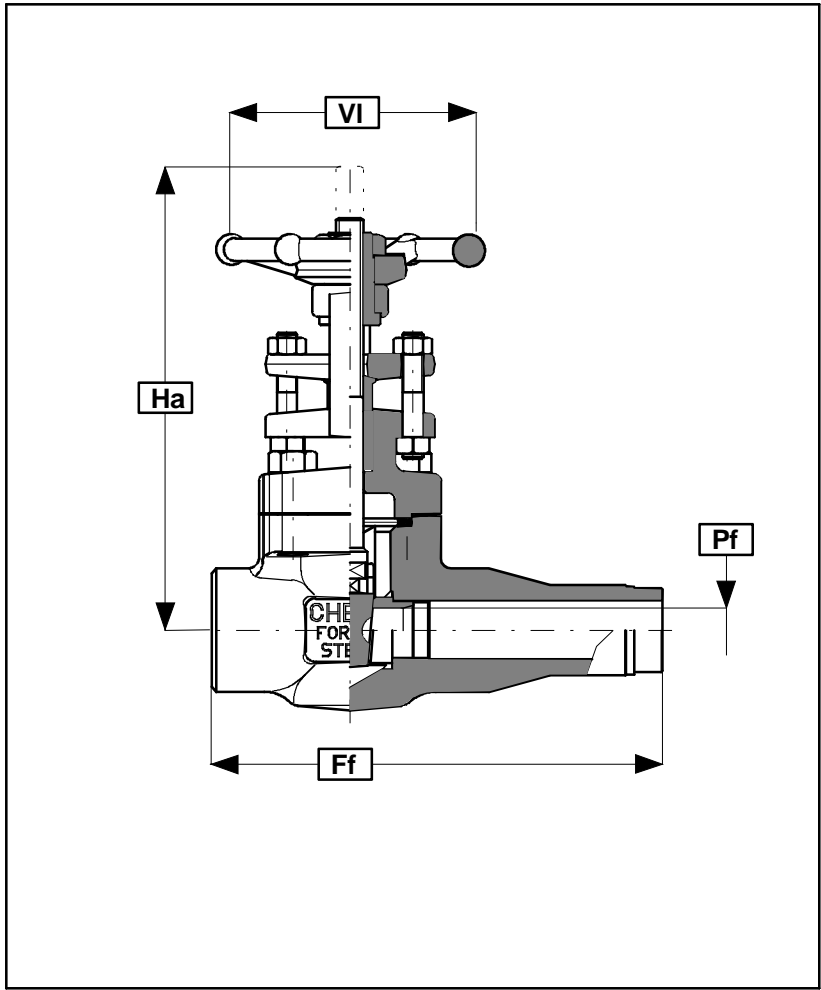
**"Ext. body" GATE VALVES - 800 - Bolted bonnet - Sw/Npt/BW**

Ratings (ASTM A105)	
800 p.s.i. @ 850°F	
1975 p.s.i. @ 100°F	

Test pressure (ASTM A105)	
<b>Hydraulic:</b> (minimum)	
Body - 3000 p.s.i.	
Seat - 2175 p.s.i.	
<b>Air under water:</b>	
Seat - 85 p.s.i.	

Standards	
<b>Construction</b>	API 602, API 606
<b>Socket weld</b>	ASME B16.11
<b>Threaded</b>	ASME B1.20.1
<b>Butt weld</b>	ASME B16.25
<b>Test</b>	API 598-BS 6755 (Pt.1)

Connections (xx)	
<b>SNS</b> Sw/ext. Sw	<b>BNS</b> BW80/ext. Sw
<b>SNT</b> Sw/ext. NPT	<b>BNT</b> BW80/ext. NPT
<b>SNB</b> Sw/ext. BW80	<b>BNB</b> BW80/ext. BW80
<b>TNS</b> NPT/ext. Sw	
<b>TNT</b> NPT/ext. NPT	
<b>TNB</b> NPT/ext. BW80	



CONVENTIONAL BORE											
		1/2"		3/4"		1"		1.1/2"		2"	
<b>Ff</b> (mm/in)		145	5,71	160	6,30	190	7,48	224	8,82	240	9,45
<b>Ha</b> (mm/in)		145	5,70	156	6,14	186	7,32	255	10,04	273	10,75
<b>VI</b> (mm/in)		90	3,54	90	3,54	100	3,94	140	5,51	140	5,51
<b>Pf</b> (mm/in)		10	0,39	14	0,55	18	0,71	31	1,22	36,5	1,44
<b>Wt.</b> (kg/lb)		1,9	4,2	2,4	5,3	3,8	8,4	7,7	16,9	7,7	16,9
<b>Catal. no.</b>		R252/xNx		R253/xNx		R254/xNx		R256/xNx		R257/xNx	


1) Standard and alternative valve materials on page 67, type A  
 2) Complete Pressure-Temperature ratings on page 68, 69, 70, 71,72  
 3) SW, NPT & BW dimensions on page 73