



GATE VALVES - 1500 - Welded bonnet - Sw/Npt/Bw

Ratings (ASTM A105)

1500 p.s.i. @ 850°F
3705 p.s.i. @ 100°F

Test pressure (ASTM A105)

Hydraulic: (minimum)

Body - 5575 p.s.i.
Seat - 4100 p.s.i.

Air under water:

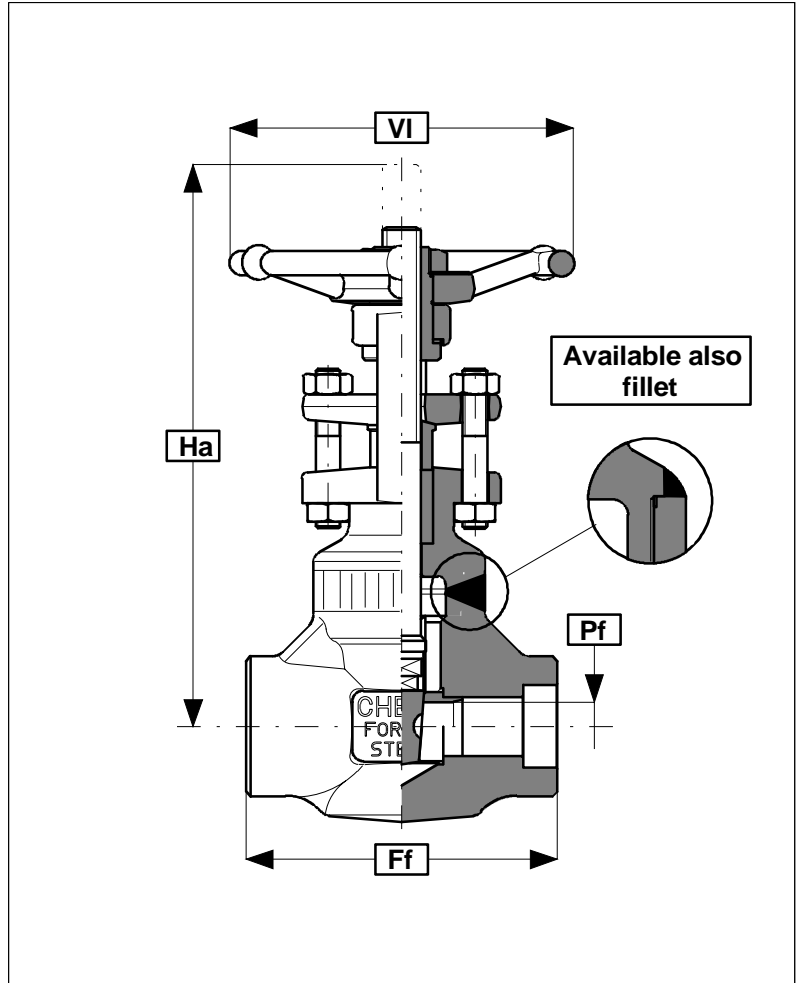
Seat - 85 p.s.i.

Standards

Construction	BS 5352
Socket weld	ASME B16.11
Threaded	ASME B1.20.1
Butt weld	ASME B16.25
Test	BS 6755 (Pt.1)

Connections (xx)

SW Socket weld threaded NPT	B8 Butt weld 80
TS Sw/NPT	
SE Sw(e)/NPT	
SU Sw(u)/NPT	
B6 Butt weld 160	



STANDARD BORE

			1/2"		3/4"		1"			1.1/2"		2"	
Ff (mm/in)			90 3,54	110 4,33	127 5,00					130 5,12	150 5,90		
Ha (mm/in)			175 6,88	217 8,54	234 9,54					295 11,61	375 14,76		
VI (mm/in)			120 4,72	175 6,89	175 6,89					200 7,87	260 10,24		
Pf (mm/in)			11,5 0,45	15 0,59	19,5 0,77					32 1,26	40 1,57		
Wt. (kg/lb)			2,0 4,4	3,2 7,0	4,9 10,8					8,5 18,7	15 33		
Catal. no.			652WB/xx	653WB/xx	654WB/xx					656WB/xx	657WB/xx		

1) Standard and alternative valve materials on page 67
2) Complete Pressure-Temperature ratings on page 68, 69, 70, 71,72
3) SW, NPT & BW dimensions on page 73